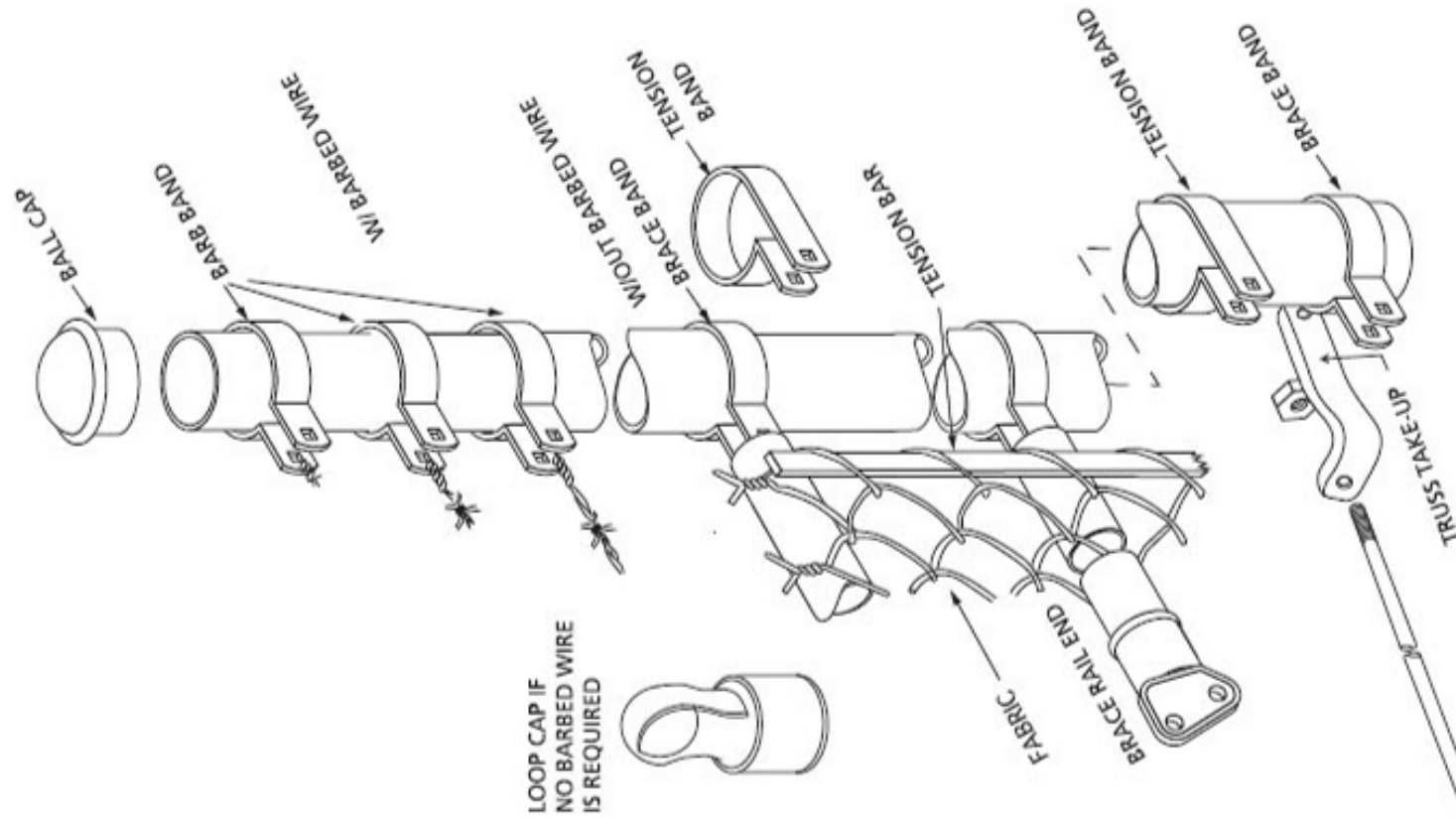


END POST DETAIL



LOOP CAP IF NO BARBED WIRE IS REQUIRED

N.T.S.

STANDARD FITTINGS DETAIL

PROJECT

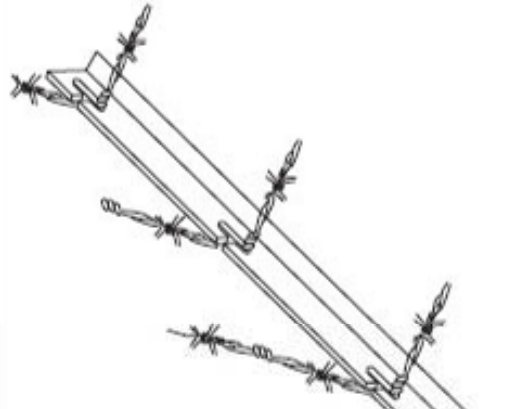
FENCE SUPPLIER

FENCE CONTRACTOR

DATE

SUBMITTED BY

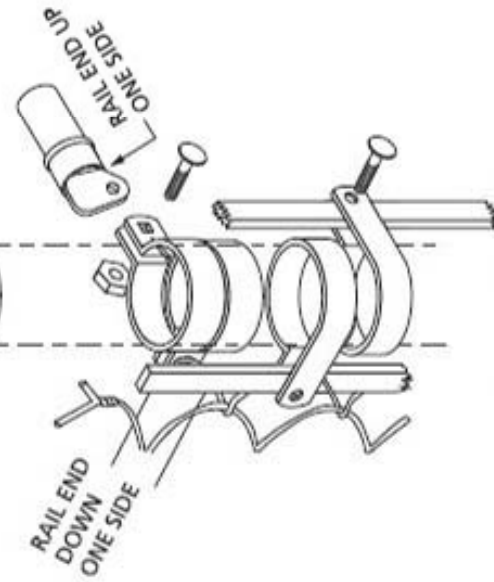
CORNER BARB ARM



RAIL END UP ONE SIDE

RAIL END DOWN ONE SIDE

CORNER POST DETAIL



ONE PIECE PRESSED STEEL 45° BARB ARM OR VERTICAL ARM OR "Y" ARM

