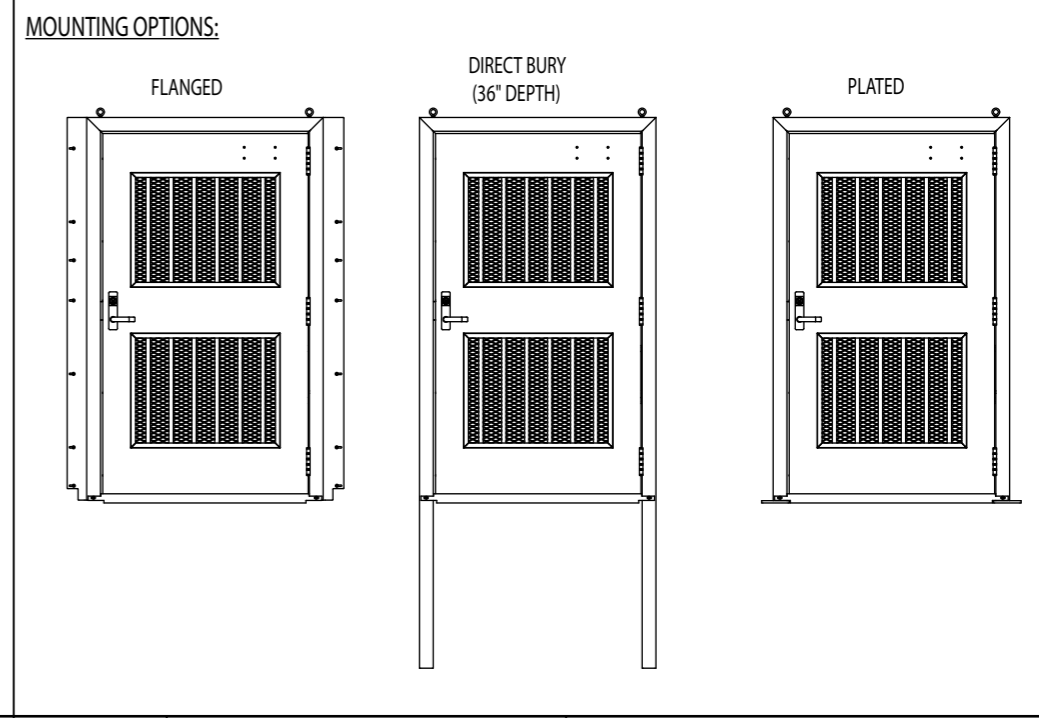
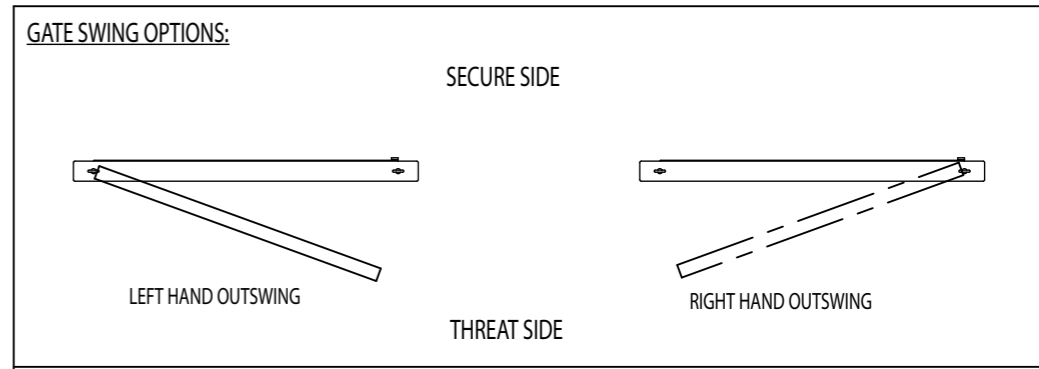
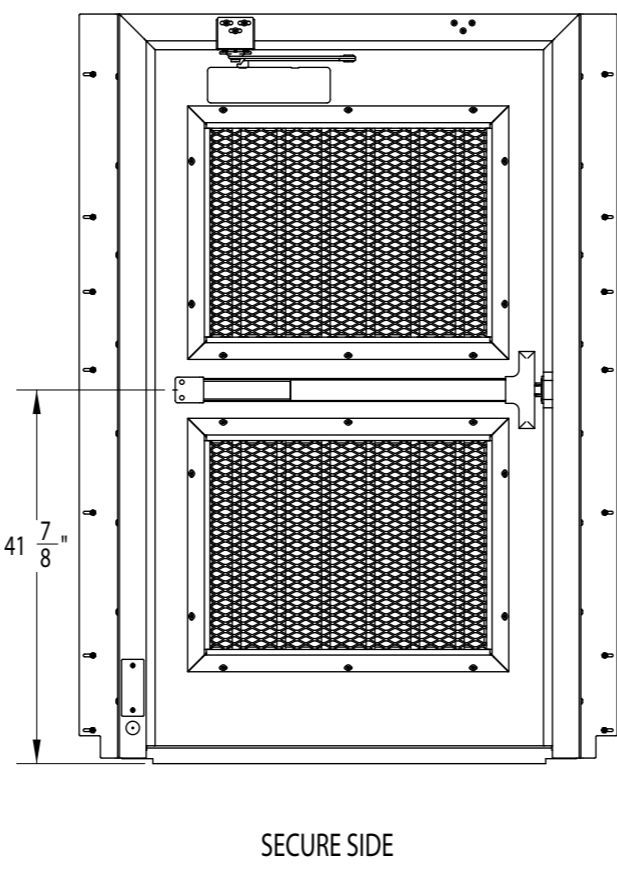
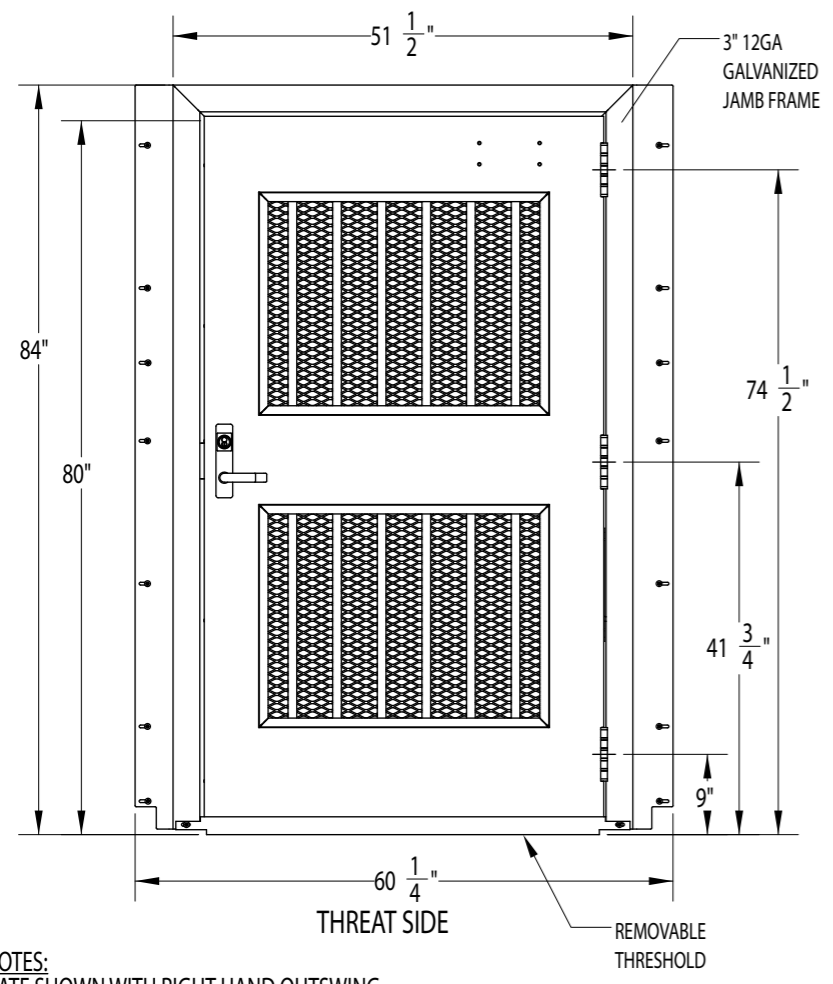
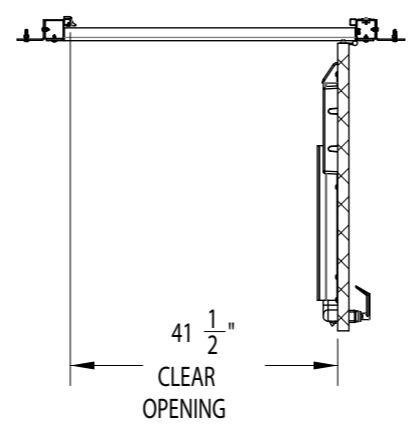
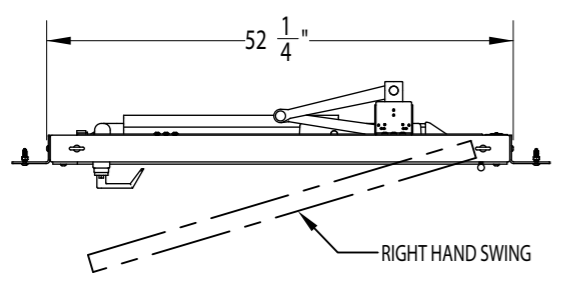


REV	DESCRIPTION	DATE	ENGINEER



NOTES:
 GATE SHOWN WITH RIGHT HAND OUTSWING
 3" 12GA GALVANIZED JAMB (STANDARD)
 1-3/4" 14GA GALVANIZED GATE (STANDARD)
 DETEX TRIM HANDLE
 DETEX V40 SERIES EXIT DEVICE
 NORTON 7500 PARALLEL ARM CLOSER
 HEAVY DUTY MCKINNEY HINGE (X3) (STANDARD)
 6" X 12" BASE PLATE (OTHER MOUNTING OPTIONS AVAILABLE)
 1" PICKET WITH XSPAN INFILL (OTHER INFILL OPTIONS AVAILABLE)

NOTICE TO PERSONS RECEIVING THIS DRAWING AND/OR TECHNICAL INFORMATION
 Ameristar Perimeter Security USA Inc claims proprietary rights to the material disclosed herein. This drawing and/or technical information is issued in confidence for engineering information only and may not be reproduced or used to manufacture anything shown or referred to herein without direct written permission from Ameristar Perimeter Security USA Inc to the user. This drawing and/or technical information is the property of Ameristar Perimeter Security USA Inc and is loaned for mutual assistance to be returned when its purpose has been served.

UNLESS OTHERWISE SPECIFIED TOLERANCES
 XX ± .06
 XXX ± .03
 XXXX ± .02
 ANGLES ± 0.5°
 FRACTIONS ± 1/8
 SURFACE FINISH

DRAWING COMPLIES WITH ASME Y14.5M - 1994

INCH
 MM

THIRD ANGLE PROJECTION

ASSA ABLOY
 Ameristar Perimeter Security USA Inc
 Tulsa

HEAT TREATMENT

SURFACE FINISH

CONFIGURATION Default

EXODUS GATE

DATE CREATED 7/20/2017

DRAWN BY nathan

DESIGNED BY nathan

DOCUMENT ID

SCALE 1:18

SIZE B

LEGACY ID

SHEET 1 OF 3